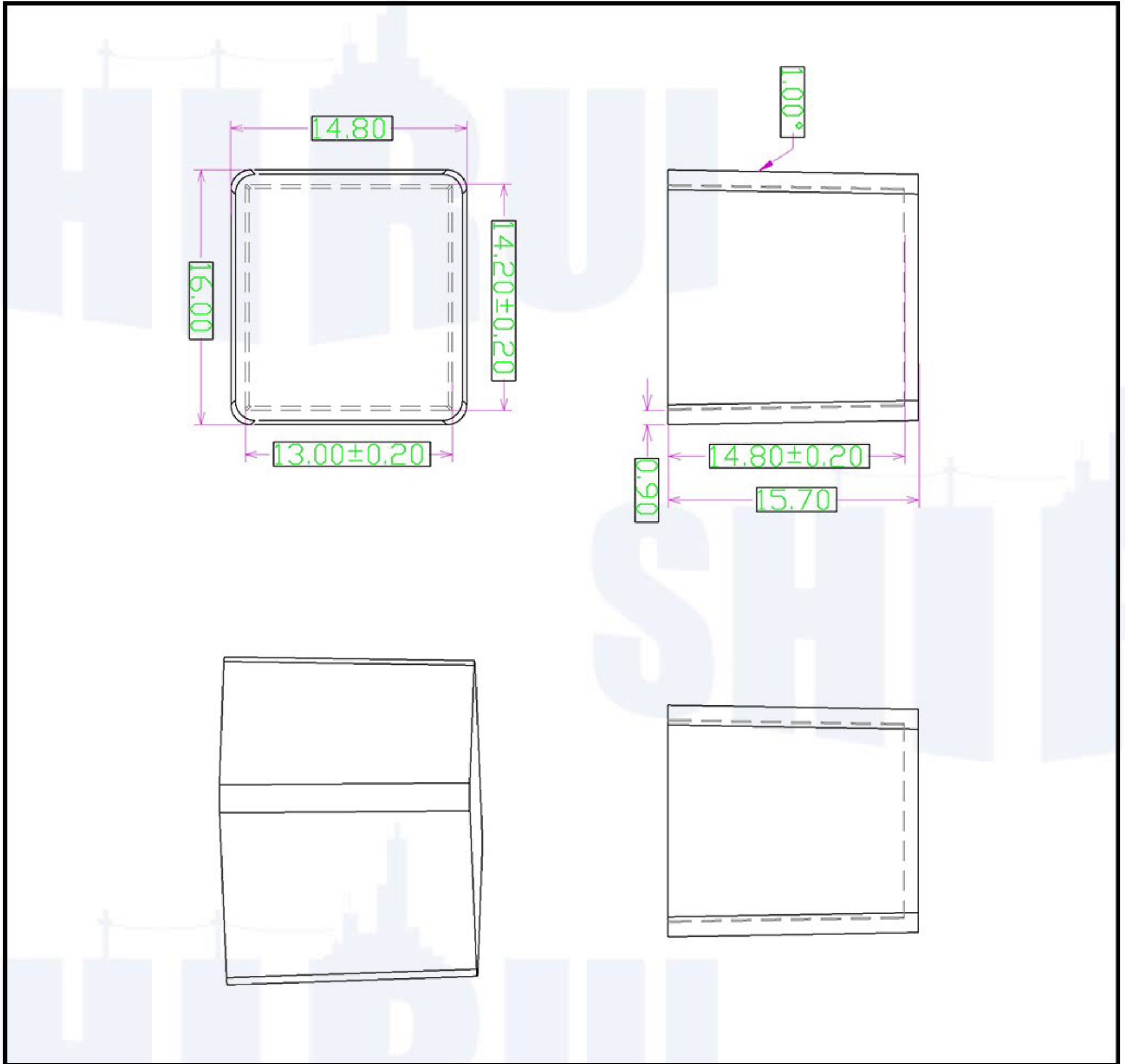

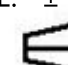


SHIRUI



SHIRUI Hefei Shirui Electronic Technology Co.,Ltd

SR NO. SR-EE1322 CASE	MATERIAL: PC+ABS	UNIT: mm	DRN.	WILL H
	UL REC: UL 94V-0	TOLERANCE	CHD.	IRINA LEE
MODEL NAME: EE13 CASE	ANGLE: ±°   SCALE 1:1	0<X<4 ±0.1 4<X<16 ±0.2 16<X<60 ±0.3 PIN PITCH ±0.2	ISSD.	JAMES HU